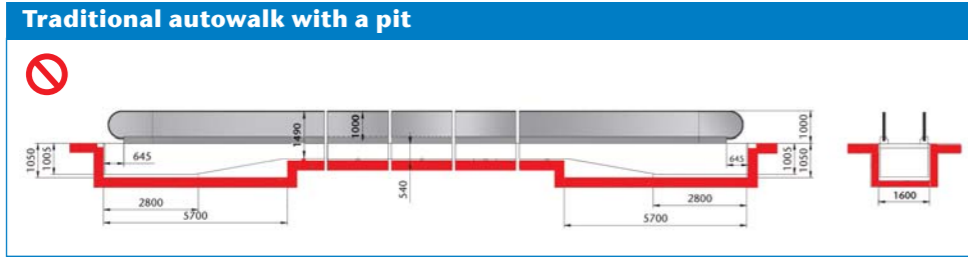
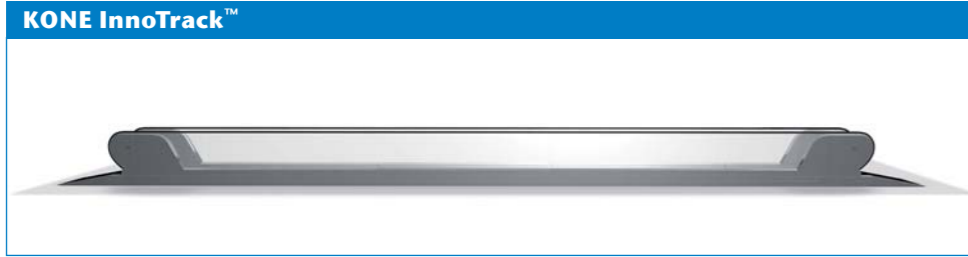


Traditional autowalks require a complex pit construction to accommodate the motor and step mechanisms and to allow necessary maintenance access to all components.

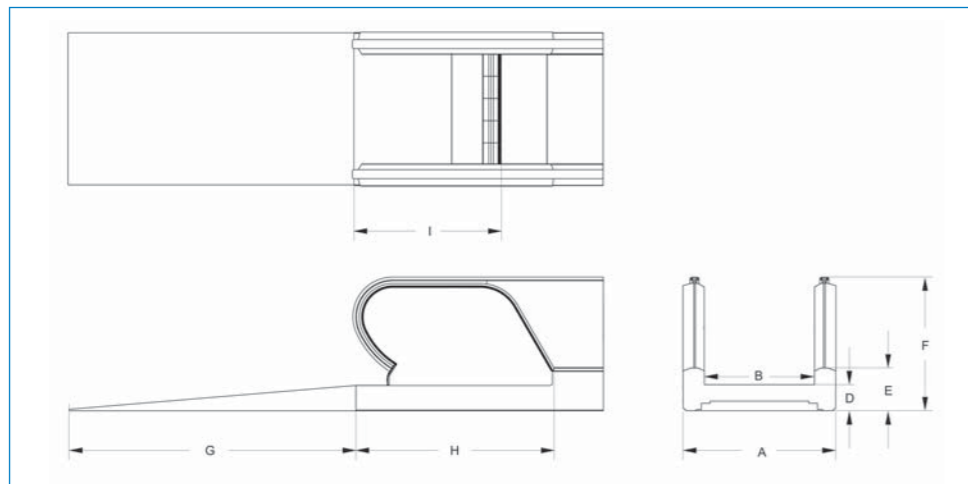


KONE InnoTrack™ autowalk can be installed on a finished floor, it does not require a pit and can be located on any floor.



KONE InnoTrack™ technical specification:

Speed	0.5 m/s and 0.65 m/s
Length	15-60 meters
Pallet width	1000 / 1400 mm
Balustrade / Overall height	1000 / 1200 mm
Skirt material	Aluminium
Installation time	10 days
Operating environment	Indoors
Electrification	EN and ANSI



Dimensions:

A	Total width (1000/1400mm)	1375mm / 1771mm
B	Width, visible pallet surface (1000/1400mm)	984mm / 1380mm
C	Width, glass to glass (1000/1400mm)	1150mm / 1546mm
D	Height, ground to pallet level	197.8mm
E	Height, ground to beginning of glass	382.5mm (top of skirt)
F	Height, ground to top of handrail	1197.6mm
G	Length of ramp	2700mm (4.7°)
H	Length, handrail end to beginning of glass	1790mm
I	Length, handrail end to comb plate	1318mm



KONE InnoTrack™

THE REVOLUTIONARY AUTOWALK WITHOUT A PIT

This publication is for general informational purposes only and we reserve the right at any time to alter the product design and specifications. No statement this publication contains shall be construed as a warranty or condition, express or implied, as to any product, its fitness for any particular purpose, merchantability, quality or representation of the terms of any purchase agreement. Minor differences between printed and actual colors may exist. KONE, KONE MonoSpace, KONE EcoDisc, KONE Polaris, KONE InnoTrack, KONE Deco, KONE XL Car and KONE LH Shaft are trademarks or registered trademarks of KONE Corporation. Copyright © 2006 KONE Corporation.



Introducing KONE InnoTrack™

The KONE InnoTrack™ is the first autowalk that doesn't need a pit. Its revolutionary design allows it to be brought to the site 'through the door' instead of 'through the wall'. You can install it in finished buildings on any floor. You can shorten it, lengthen it, change the color or re-install it somewhere else.

KONE InnoTrack™ autowalk can be easily installed in existing locations as it does not require a pit. It is delivered in easy-to-handle modules and it can be installed in days instead of weeks.

KONE InnoTrack™ uses thoroughly tested technology with a proven track record in other KONE products. It has merely been packaged in an innovative way. This means that you can enjoy the best of both worlds: the benefits of a revolutionary innovation with no teething troubles.

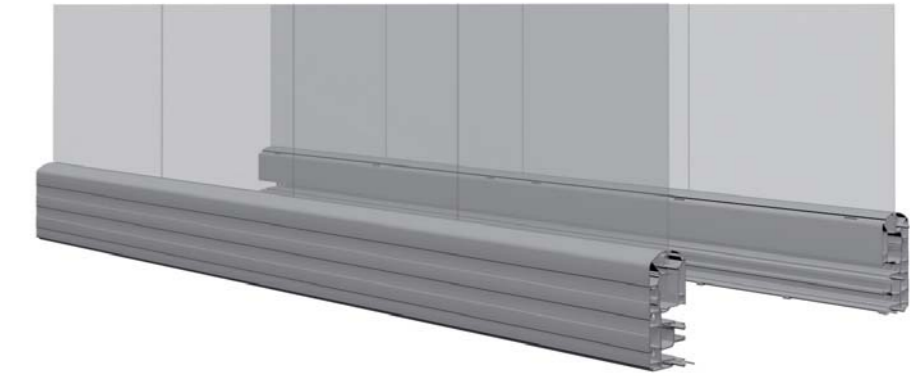
The design is based on three simple but ingenious innovations:

- 1) The components traditionally placed in the pit have been moved to the balustrades.
- 2) The pallets lower themselves directly under the stepping surface instead of circling the entire truss to the bottom.
- 3) The modular design of the truss makes it uniquely simple to assemble and modify.

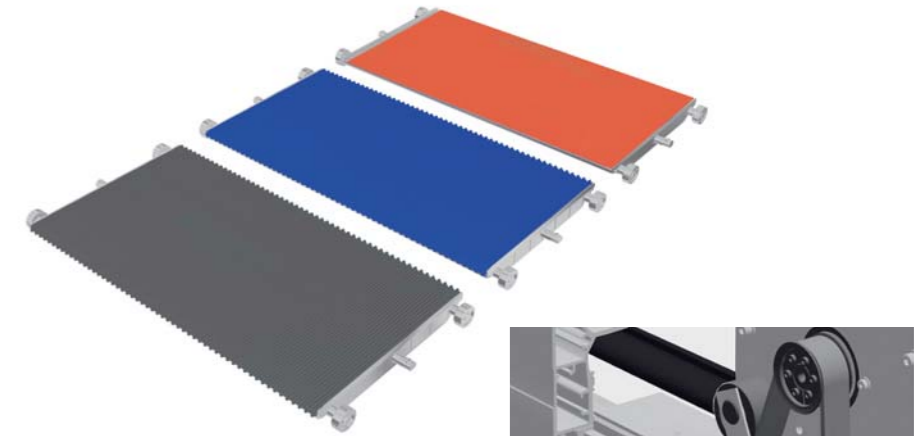
- KONE PowerDisc™ motor** ▶
- Next generation gearless motor adapted from KONE elevators
 - Incredibly small and powerful motor based on KONE EcoDisc® technology
 - No oil and a lower energy consumption compared to other solutions
 - Designed to outlast traditional alternatives



- KONE CombiRail™ track design** ▶
- Unprecedented space saving and flexibility
 - Adaptable modular design with possibility to modify length
 - Light but durable and solid foundation
 - Rests on the surface or on shims
 - Designed for efficient and simple installation



- KONE DecoPallet™** ▶
- New compact space-saving design
 - Durable and non-slip surface
 - Colorful and easy to change stepping surface
 - Designed for durability and energy efficiency



- KONE OptiDrive™ drive system** ▶▶
- Silent and oil-free belt drive
 - Energy efficient and environmentally friendly
 - Designed for simple maintenance and quick change of wearable parts



- KONE ThinReverser™ pallet operating system** ▶
- Revolutionary space saving system
 - Directs the pallets to return directly under the walking level instead of circling them around
 - Silent and reliable design
 - Designed for energy efficiency, durability and simple maintenance

